



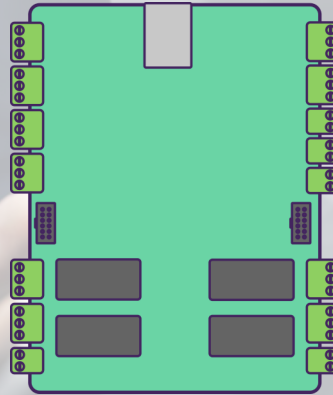
Lockswitch



Proscalar

PSR-1

2-Door Controller



Secure, Scalable, Reliable. The PSR-1 Controller is equipped to deliver unparalleled security and scalability in today's fast changing environments.

It is equipped with robust & secure connectivity, flexible & configurable interfaces, to surpass the most challenging requirements in today's buildings and facilities.

Key Features

- Gigabit Ethernet connectivity for high speed & real time performance.
- Robust RS485 with extended common mode range & fault protection coupled with high speed communication to expansion devices.
- Fully encrypted communication on upstream & downstream channels.
- Configurable & flexible Inputs/Outputs with programmable logic.
- Supports Wiegand & OSDP Readers.
- Extensive surge protection on Power I/O & communications ports.

Supports :-

- Up to 16 doors with additional Door Interface
- Up to 4 Elevators.
- 512 Elevator Floors.
- 16 Expansion devices, 16 Card readers.
- Up to 256 Hardened Supervised Inputs or 256 High Capacity Relay Outputs.
- 200k Cardholders & 200k Events.
- An Unlimited Access Zones, with 2048 Access Groups.
- 1024 Time Schedules.
- Cross Controller Triggering.

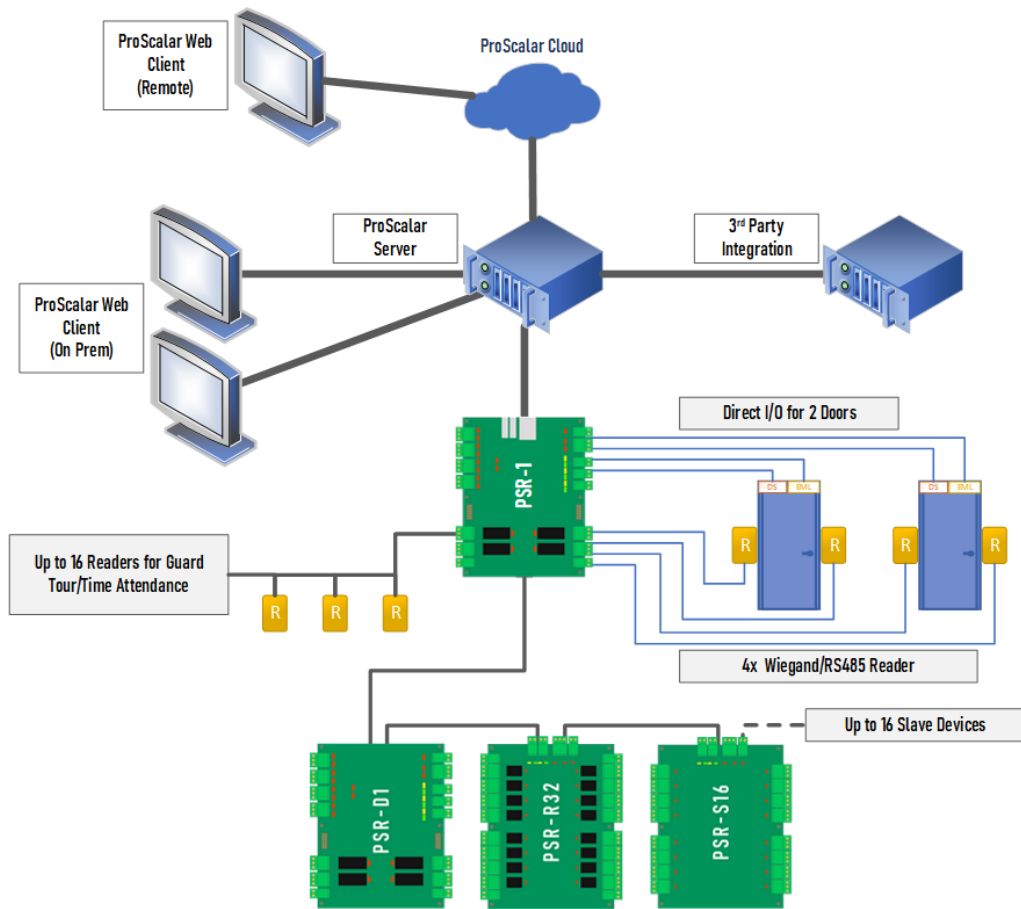
Access Control

- Dual Authorisation & Visitor Escort function.
- Door Interlocking.
- Global Antipassback/ Antitailgating.
- Powerful Time Schedule & Calendar configurations.

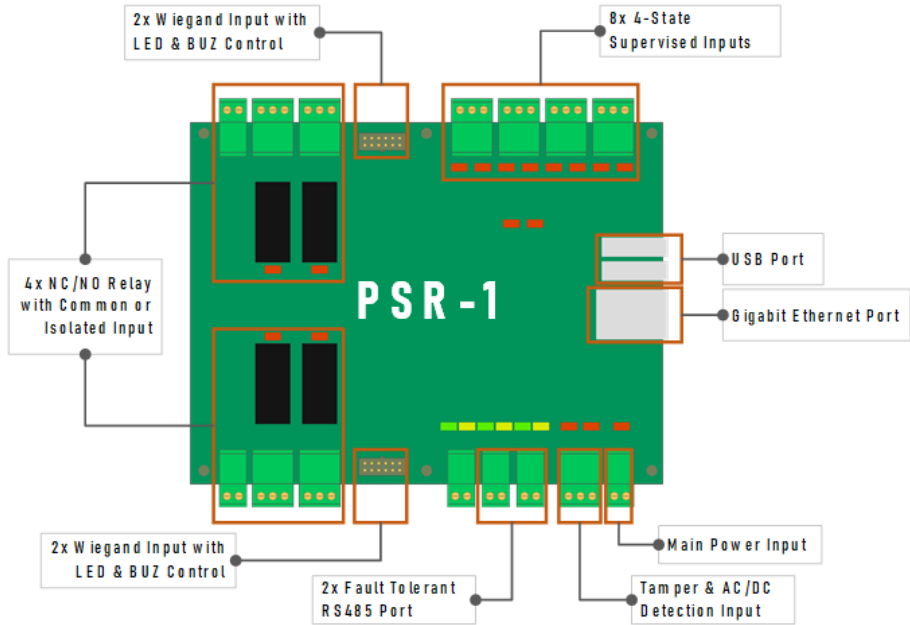
Alarm Monitoring

- Arm/Disarm/Isolate/ Shunt Alarm Points.
- Auto Arm/Disarm on Event or Status change.
- Flexible Alarm Rules & Instructions
- Scheduled Arm/Disarm.

PSR-1 System Diagram



PSR-1 Key Features



PSR-1 Technical Specification

PSR-1 HARDWARE SPECIFICATION

Power	Voltage	13.8VDC \pm 20%
	Current	1.5A
Environmental Limits	Operating Temperature	0-70°C
	Humidity	95% Non-Condensing
Communications	Ethernet Connection (1 Port)	1000/100/10 base-T Ethernet Port
	RS485 Communications (2 Port)	115.2kbps, Half Duplex, OSDP, 1KM Fault Tolerant \pm 70V Extended CMR -20V, +25V
	Other Ports	USB2.0 x 2 RS232 x 1 Wiegand x 4
	TCP/IP Protocol	TLS1.2
Inputs	Ports	8
	Type	4-State Supervised Inputs
	Other Ports	1x Tamper Input 1x AC/DC Mode Input
Outputs	Ports	4
	Type	Form-C, 24V, 3A
Dimensions	Height x Width x Depth (mm)	170 x 130 x 50

SLAVE DEVICE

Door Interface Panel	PSR-D1	8x 4-State Supervised Inputs, 4x Form-C Relay Output, 4x Wiegand Input, 2x RS485 Port.
32 Output Expansion Panel	PSR-R32	32x Form-C Relay Output, 2x 4-State Supervised Inputs, 1x Uplink RS485 Port, 1x Reader RS485 Port.
16 Input Expansion Panel	PSR-S16	16x 4-State Supervised Inputs, 2x Form-C Relay Output, 1x Uplink RS485 Port, 1x Reader RS485 Port.